

GROUND GUARD INSTALLATION MANUAL MODEL G1000

TECHNICAL INFORMATION:

OPERATING VOLTAGE 120/60 VAC

CURRENT DRAW: 11 mA max @ 120 VAC

CURRENT TO GROUND POTENTIAL: 225 uA @ 120 VAC

RELAY OUTPUT: 1 NO / NC CONTACT

RELAY RATING: 120 / 240 vac 10A / 5A

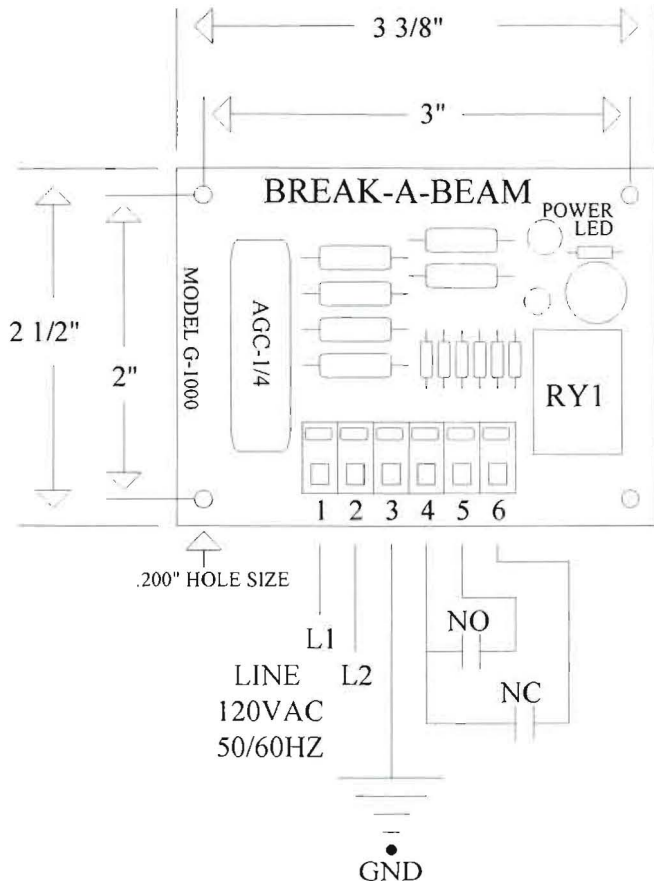
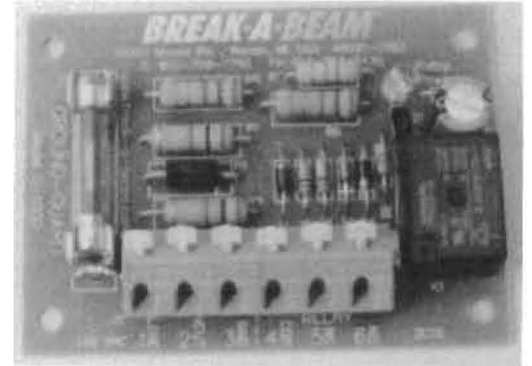
RELAY PULL IN / DROP OUT: 1/2 SECOND DELAY

CONNECTION: WAGO CONNECTOR SPRING TYPE NON-SCREW

WIRE SIZE: 14 THRU 20 GAUGE WIRE

OVER VOLTAGE PROTECTION: FUSED, SOLID STATE

SIZE: 3 3/8" LONG X 2 1/2" WIDE X .875" HIGH



WIRING INSTRUCTIONS

- Connect 120 / 60 Hz to terminal #1 and terminal #2 on the G-1000 circuit board.
- Connect the ground you want to verify to terminal #3.
- When you lose your ground, terminal #4 and terminal #5 will close; terminal #4 and terminal #6 will open.

WARNING: Read instruction manual before installing. Disconnect power before installing. The possibility of electrical shock could result from improper installation. Color code systems of wiring are different for electronic and electrical equipment. Specifications subject to change without notice or incurring obligation